

## KGS 602



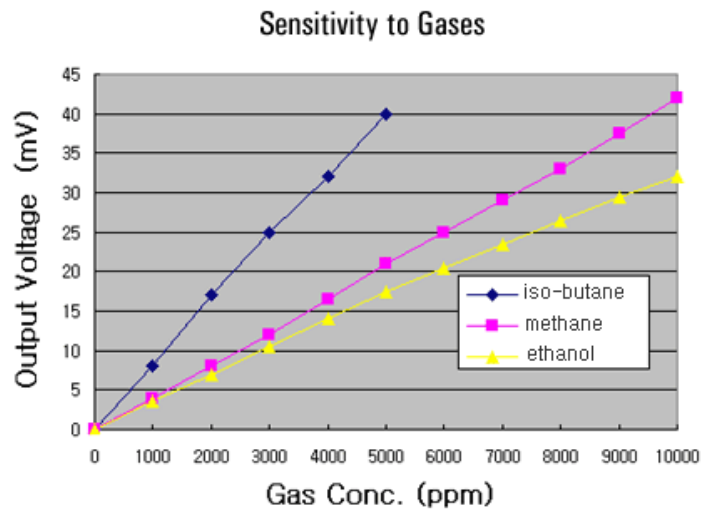
适用	Fixed type detector for long life
检测方法	Catalytic
检测气体	大部分的可燃性气体
检测范围	0 ~ 100 %LEL
额定电压	2.5 V
目前的消费	180 ± 10 mA
初始时	-55 ~ 40 mV (23±2°C, 60%RH)
输出灵敏度	40 ± 5 mV / %methane
线性度	2 %methane
T <sub>90</sub> 响应时间	Within 10 秒 (methane)
灵敏度变化	< 3% signal / 月
零点漂移	< 1% LEL(methane) / 月
保修期	从销售日1年

\* Flow rate of 300mls/min. Conditions at 23±2°C, 60%RH, and 1 atm unless otherwise noted

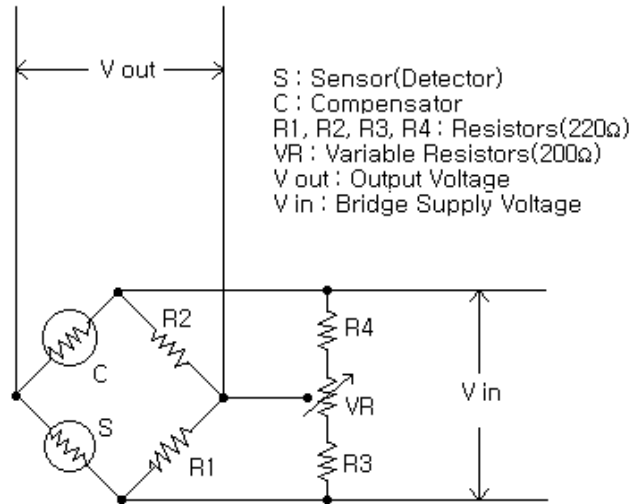
### Enhanced Features

- Enhanced H<sub>2</sub>S and Silicone resistance
- Excellent Temperature Characteristics

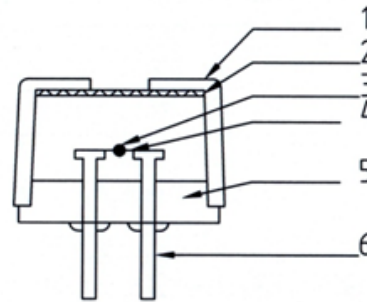
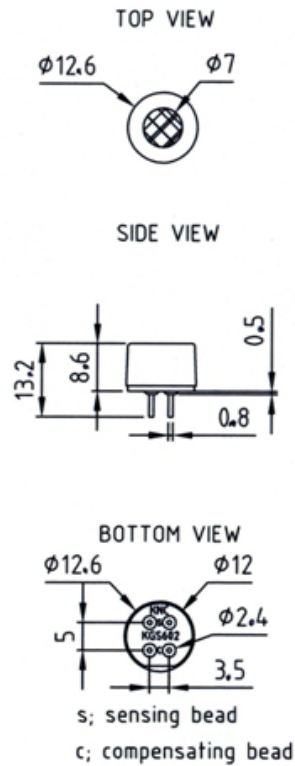
### Sensitivity Data



## Basic Measuring Circuit



## Structure and Materials



No	Description
1	Cover(Nylon 66)
2	SUS316L 100mesh double
3	Catalyst
4	Pt wire
5	Reinforced Nylon body
6	Nickel pin