

KGS 602



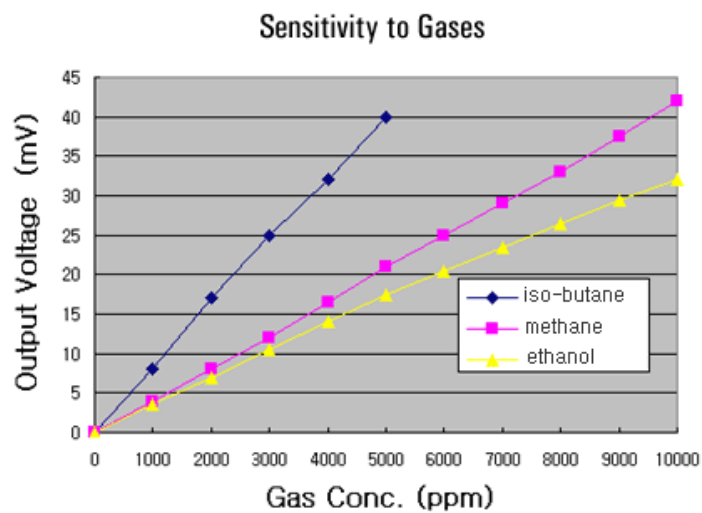
Applications	Fixed type detector for long life
Detection Method	Catalytic
Gases Detected	Most Combustible Gases
Range	0 ~ 100 %LEL
Rated Voltage	2.5 V
Current Consumption	180 ± 10 mA
Zero Offset Voltage	-55 ~ 40 mV (23±2°C, 60%RH)
Output Sensitivity	40 ± 5 mV / %methane
Linear to	2 %methane
T ₉₀ Response Time	Within 10 seconds (methane)
Long Term Sensitivity Drift	< 3% signal / month
Long Term Zero Drift	< 1% LEL(methane) / month
Warranty Period	1 year from date of despatch

* Flow rate of 300mls/min. Conditions at 23±2°C, 60%RH, and 1 atm unless otherwise noted

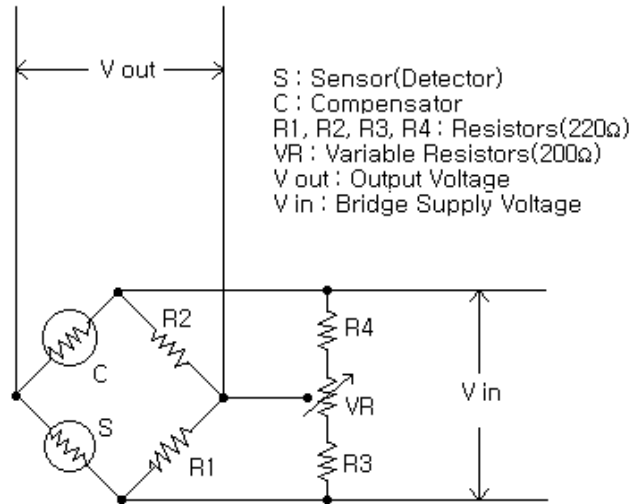
Enhanced Features

- Enhanced H₂S and Silicone resistance
- Excellent Temperature Characteristics

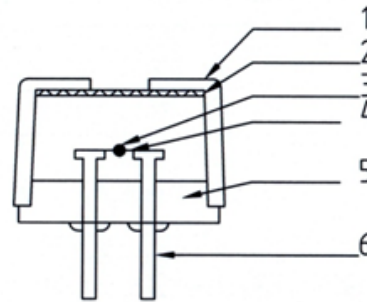
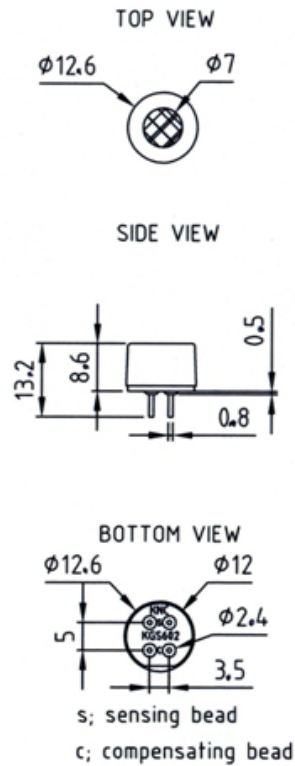
Sensitivity Data



Basic Measuring Circuit



Structure and Materials



No	Description
1	Cover(Nylon 66)
2	SUS316L 100mesh double
3	Catalyst
4	Pt wire
5	Reinforced Nylon body
6	Nickel pin